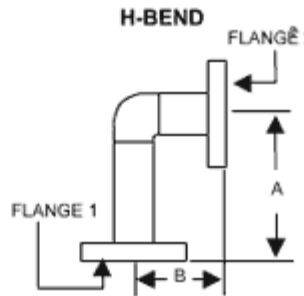
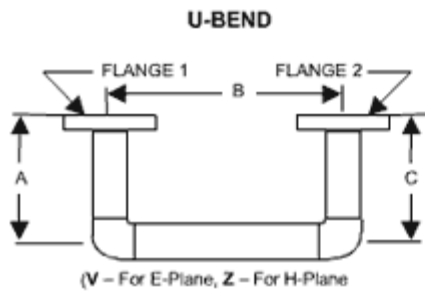
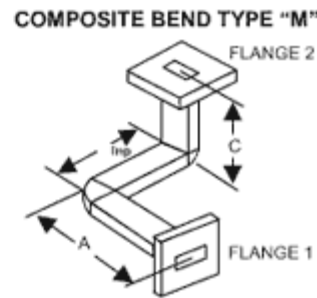
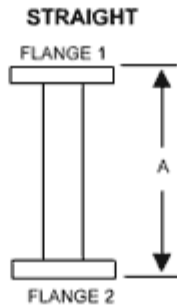
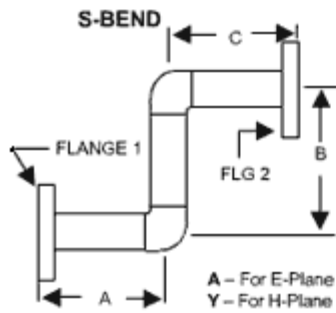
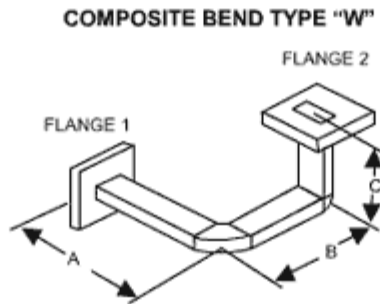
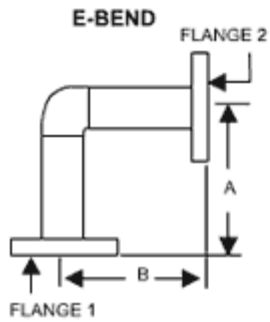


# Rectangular Waveguides

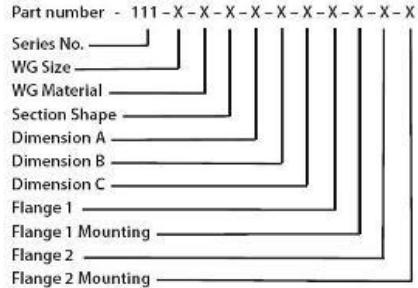
## S111





Unique Broadband Systems Ltd.

### Ordering Information



### Waveguide Size

Size	Freq. (GHz)	C	G	CHOKE	CMR	CPR
WR28	26.50 - 40.00	•	•	•		
WR34	22.00 - 33.00	•	•	•		
WR42	18.00 - 26.50	•	•	•		
WR51	15.00 - 22.00	•	•	•		
WR62	12.40 - 18.00	•	•	•		
WR75	10.00 - 15.00	•	•	•	•	•
WR90	8.20 - 12.40	•	•	•	•	•
WR102	7.00 - 11.00	•	•	•	•	•
WR112	7.05 - 10.00	•	•	•	•	•
WR137	5.85 - 8.20	•	•	•	•	•
WR159	4.09 - 7.05	•	•	•	•	•
WR187	3.95 - 5.85	•	•	•	•	•
WR229	3.30 - 4.90	•	•	•	•	•
WR284	2.60 - 3.95	•	•	•	•	•
WR340	2.20 - 3.30	•	•	•	•	•
WR430	1.70 - 2.60	•	•	•	•	•
WR650	1.12 - 1.70	•	•	•	•	•

## Waveguide Section

Mark	Shape
E	E-BEND
H	H-BEND
S	STRAIGHT SOLID
F	STRAIGHT FLEX
A	S-BEND, E-PLANE
Y	S-BEND, H-PLANE
V	U-BEND, EPLANE
Z	U-BEND, HPLANE
W	COMPOSITE BEND TYPE "W"
M	COMPOSITE BEND TYPE "M"

## Configuration

<b>FlangeType</b>	C - Cover
	G - Groove
	CHOKE
	CMR
	CPR
	CPR (F,G)
<b>Flange Mounting Holes</b>	T1 - Through Holes
	T2 - Threaded
	A - Alternating
<b>Twist Angle</b>	1 - 90° Twist
	0 - 45° Twist
<b>Hardware</b>	0 - Not required
	1 - Required
<b>Material</b>	C - Copper
	A - Aluminum
	B - Bronze